



BALDOR • RELIANCE

Product Information Packet

WVO DESIGNS

34L973X836G1

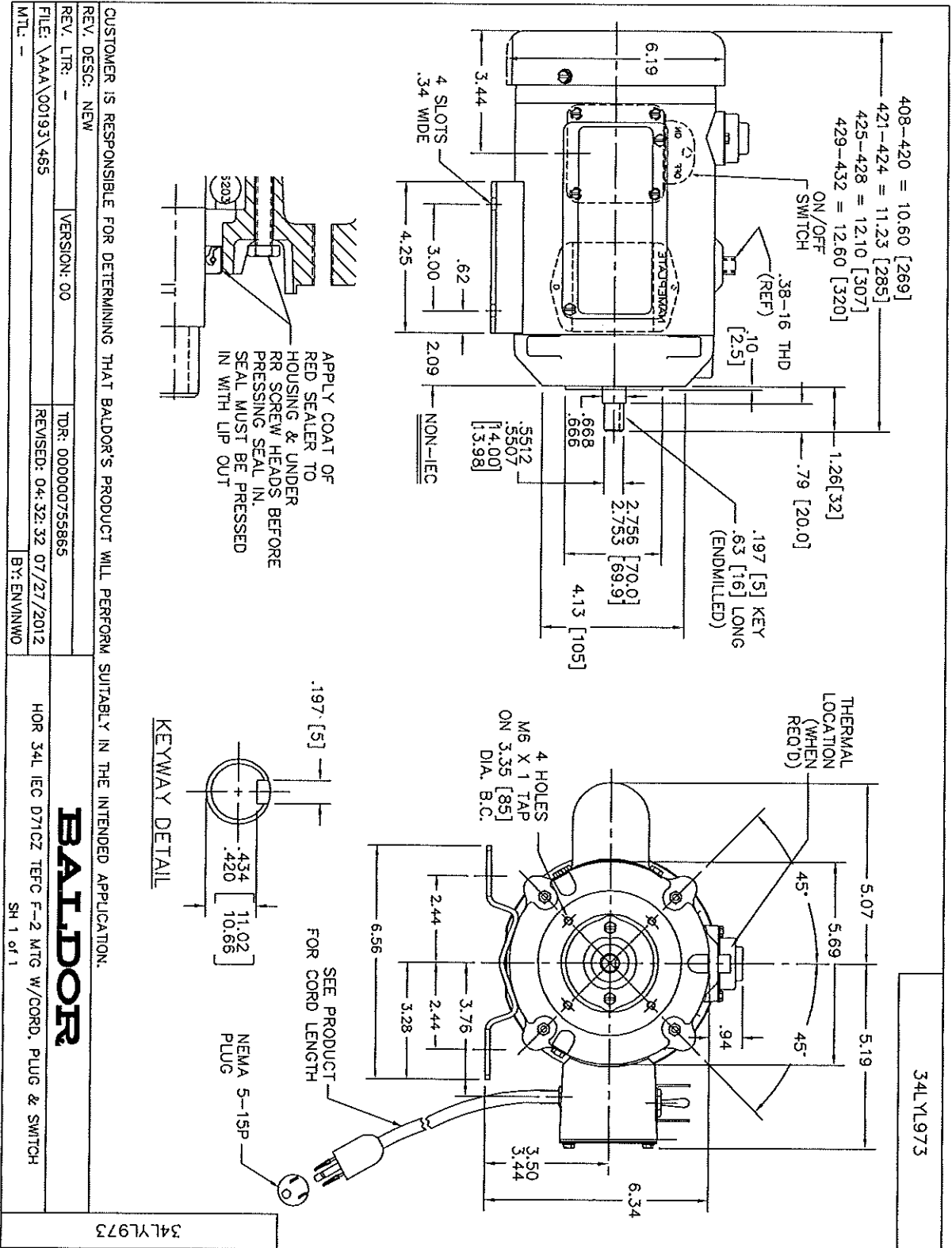
.75HP,3450RPM,1PH,60HZ,D71CZ,3428L,TEFC

Copyright © All product information within this document is subject to Baldor Electric Company copyright © protection, unless otherwise noted.

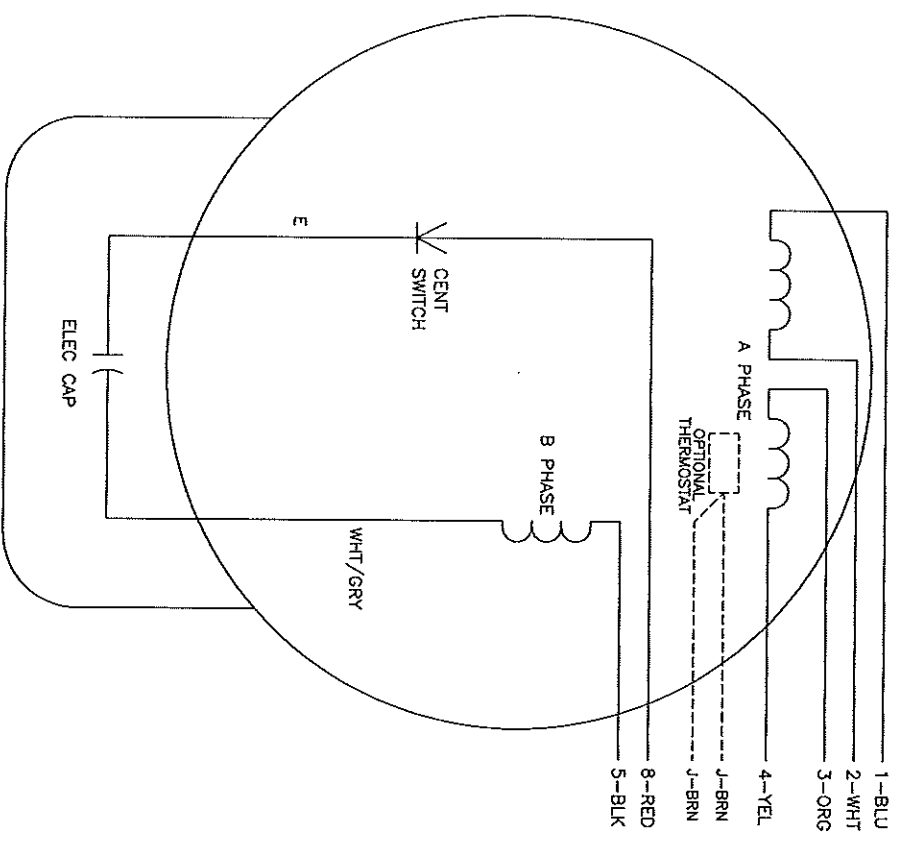
BALDOR • RELIANCE

Product Information Packet: 34L973X836G1 - .75HP,3450RPM,1PH,60HZ,D71CZ,3428L,TEFC

Part Detail									
Revision:	A	Status:	PRD/A	Change #:		Proprietary:	No		
Type:	AC	Prod. Type:	3428L	Elec. Spec:	34WGX836	CD Diagram:			
Enclosure:	TEFC	Mfg Plant:		Mech. Spec:	34L973	Layout:			
Frame:	D71CZ	Mounting:	B34	Poles:	02	Created Date:	07-19-2012		
Base:	RG	Rotation:	ROS	Insulation:	F	Eff. Date:	10-05-2012		
Leads:	6#18	Literature:		Elec. Diagram:		Replaced By:			
Replacement NP: 579L									
CAT.NO.									
SPEC.	34L973X836G1								
IEC FRAME	D71CZ		KW.			.75HP	TE		
VOLTS	120/220								
AMP	8.7/4.4								
RPM	3450		LP.						
HZ	60		PH			1		CL	F
SER.F.	1.15		DES			L		CODE	K
NEMA-NOM-EFF	67		PF			79			
RATING	40C AMP-CONT								
CC			USABLE AT 208V						
DE	6203		ODE			6203			
SER.#									



CD0001



	LINE A	LINE B	JOIN
HIGH STD	1	4,5	2,3,8
HIGH OPP	1	4,8	2,3,5
LOW STD	1,3,8	2,4,5	-
LOW OPP	1,3,5	2,4,8	-

- NOTES:
1. STANDARD ROTATION IS CCW FACING END OPPOSITE SHAFT EXTENSION.
 2. OPTIONAL THERMOSTAT IS PROVIDED WHEN SPECIFIED.
 3. MULTIPLE CAPACITORS ARE CONNECTED IN PARALLEL UNLESS OTHERWISE SPECIFIED.
 4. LEAD COLORS ARE OPTIONAL. LEADS MUST ALWAYS BE NUMBERED AS SHOWN.

REV. DESC: REVISE TO SHOW OPTIONAL COLORS			
REV. LTR: D	BY: JLP	REVISED: 04/08/99 1:16	TDR: 0178636
1000CC		FILE: AAA00007405	MDL: -
MTL: -			

BALDOR ELECTRIC CO.

TYPE L, DV, REV. 6 LEADS

CD0001