

BALDOR® • RELIANCE

Product Information Packet

WVO DESIGNS

34M185Y166G1

.75HP, 1725RPM, 1PH, 60HZ, D71CZ, 3428LC, TEFC

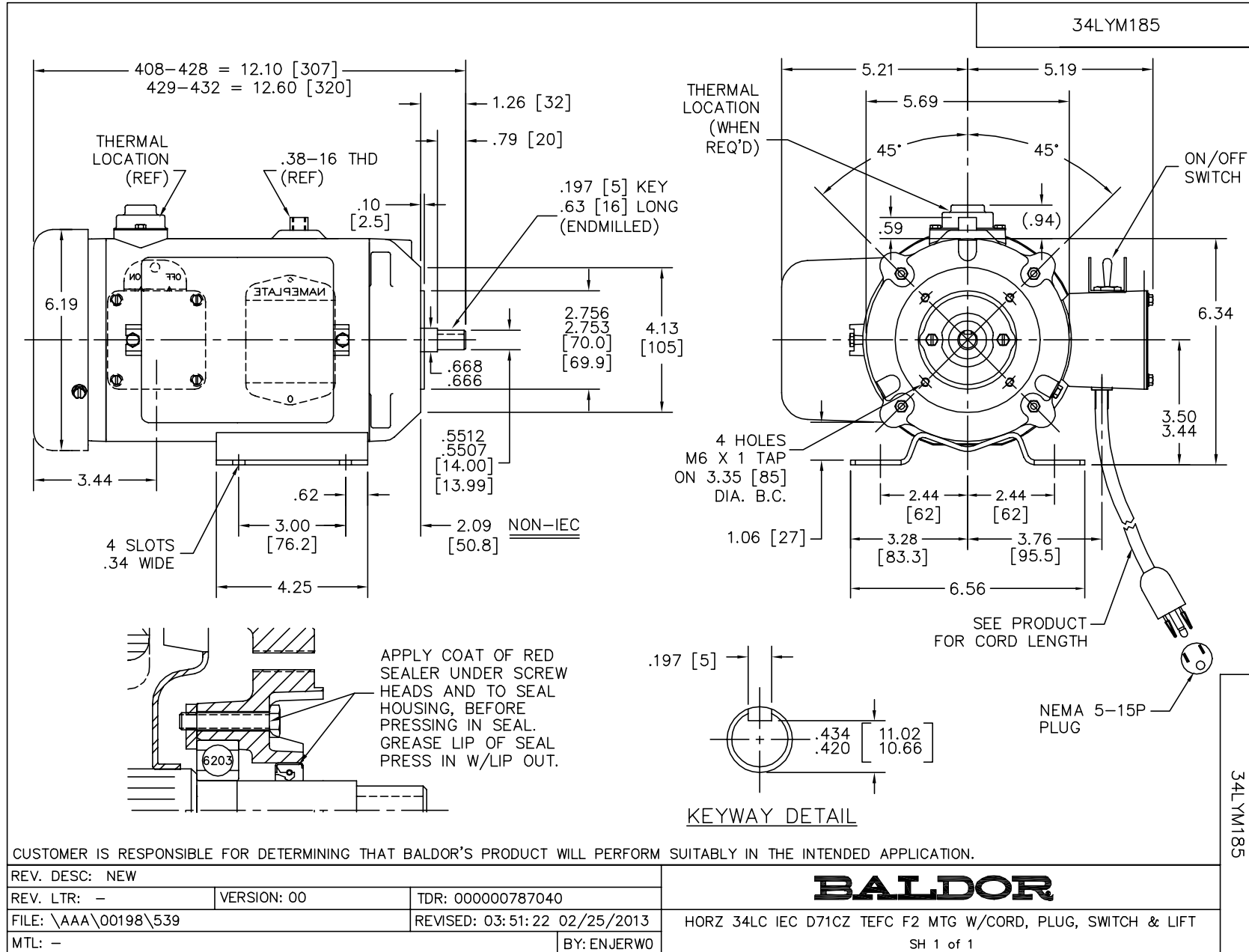
Part Detail							
Revision:	B	Status:	PRD/A	Change #:		Proprietary:	No
Type:	AC	Prod. Type:	3428LC	Elec. Spec:	34WGY166	CD Diagram:	
Enclosure:	TEFC	Mfg Plant:		Mech. Spec:	34M185	Layout:	
Frame:	D71CZ	Mounting:	B34	Poles:	04	Created Date:	02-25-2013
Base:	RG	Rotation:	ROS	Insulation:	F	Eff. Date:	08-27-2013
Leads:	6#18,1#14 #4TH					Replaced By:	
Literature:		Elec. Diagram:					

Nameplate NP1379L

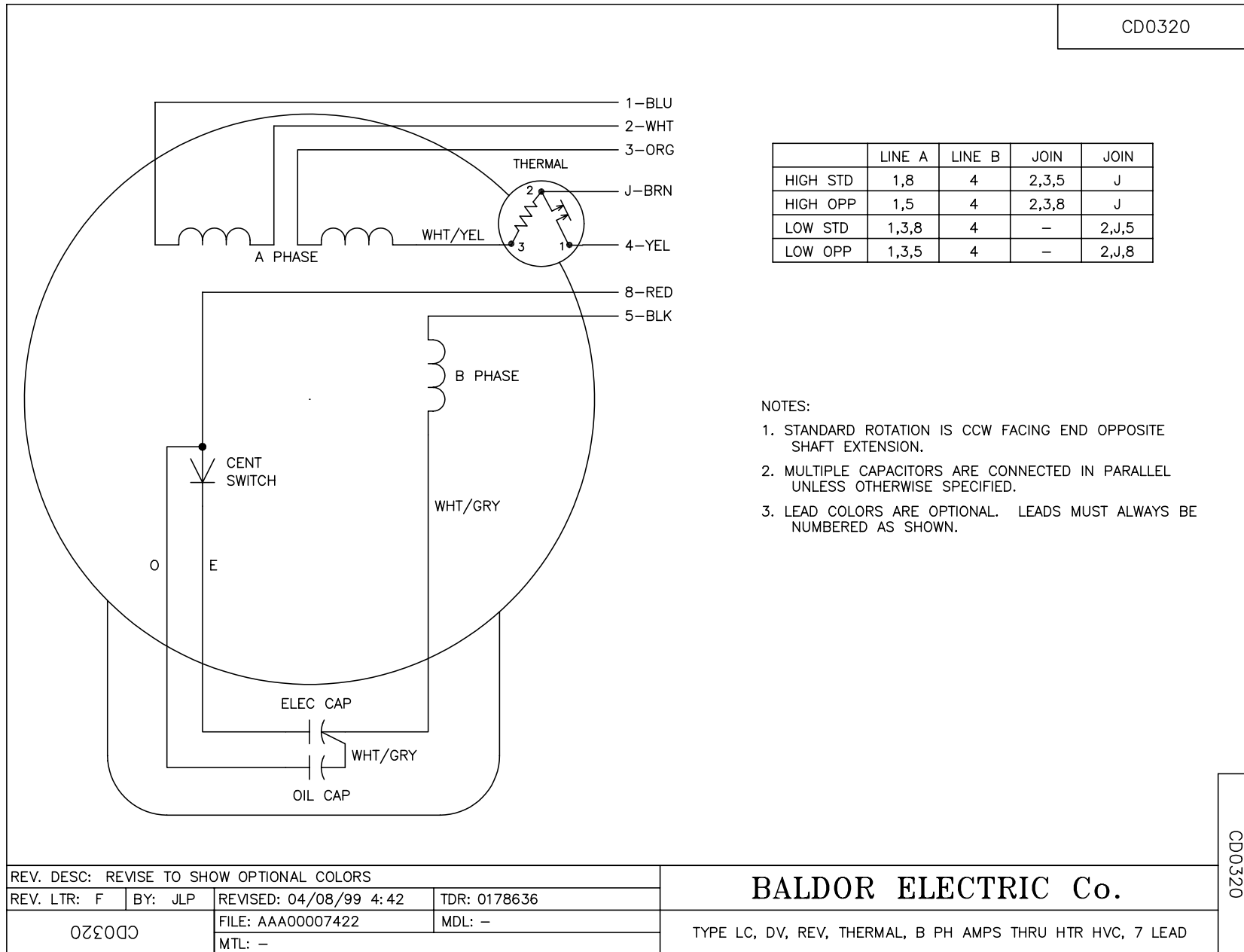
CAT.NO.							
SPEC.	34M185Y166G1						
IEC FRAME	D71CZ	K.W.	.75HP TE				
VOLTS	120/220						
AMP	8.3/4.1						
RPM	1725	I.P.	44				
HZ	60	PH	1	CL	F		
SER.F.	1.15	DES	N	CODE	L		
NEMA-NOM-EFF	74	PF	80				
RATING	40C AMB-CONT						
CC		USABLE AT 208V	5.4				
DE	6203	ODE	6203				
SER. #							

Parts List		
Part Number	Description	Quantity
SA260494	SA 34M185Y166G1	1.000 EA
RA247240	RA 34M185Y166G1	1.000 EA
OC3020F12SP	CYL OIL CAP 20MFD/370V	1.000 EA
EC1460A05SP	ELEC CAP, 460-552 MFD, 125V, 2.06D X 3.	1.000 EA
NS2512A01	INSULATOR, CONDUIT BOX X	1.000 EA
34CB3002A22	CB W/.66 DIA @ 12 & .50 DIA @ 6	1.000 EA
34GS1029A01	GASKET, CONDUIT BOX	1.000 EA
51XB1016A07	10-16 X 7/16 HXWSSLD SERTYB	2.000 EA
WD4102A01	SR-6L-1 HEYCO STRN RELIEF OR 23MPO6L10 M	1.000 EA
WD4000A06SP	SWITCH GUARD FOR TOGGLE SWITCH	1.000 EA
SP9013	2P-ST TOGGLE 1 HP - 2GK71-78	1.000 EA
HW1003A50	LOCKWASHER, 1/2", EXT. TOOTH ZINC PLATED	1.000 EA
11XW1032G06	10-32 X .38, TAPTITE II, HEX WSHR SLTD U	1.000 EA
WD1000A03	41531 AMP FLG. TERM, 4M/REEL (2.5MIL)	3.000 EA
34CB3801	CAPACITOR BOX, DIE CAST	1.000 EA
34GS3002	GASKET, CAPACITOR BOX	1.000 EA
51XB1214A08	12-14 X 1/2HX WS SL SR TYBX	2.000 EA
35GS5000A02	CAPACITOR PAD - 2"X4"	2.000 EA
51XW0832A07	8-32 X .44, TAPTITE II, HEX WSHR SLTD SE	2.000 EA
34EP3102A01SP	FR ENDPLATE, MACH	1.000 EA
HW5100A03SP	WAVY WASHER (W1543-017)	1.000 EA
34EP1503A07	PU ENDPLATE, MACH	1.000 EA
51XN1032A20	10-32 X 1 1/4 HX WS SL SR	2.000 EA
HW4600B84	SEAL 0.669 X 1.064 X 0.250 SINGLE LIP SS	1.000 EA

Parts List (continued)		
Part Number	Description	Quantity
XY1032A02	10-32 HEX NUT DIRECTIONAL SERRATION	4.000 EA
34FN3002A01SP	EXTERNAL FAN, PLASTIC, .637/.639 HUB W/	1.000 EA
34FH4002A01	IEC FH NO GREASER	1.000 EA
51XW1032A06	10-32 X .38, TAPTITE II, HEX WSHR SLTD S	3.000 EA
34CB4517	CB LID 4 MTG HOLES .22 DIA STAMPED, FOR	1.000 EA
34GS1031A01	GASKET, FLAT CONDUIT BOX LID (LEXIDE)	1.000 EA
51XW0832A07	8-32 X .44, TAPTITE II, HEX WSHR SLTD SE	4.000 EA
HW2504D04	KEY, 5 MM X .625 LONG	1.000 EA
HA7000A10	KEY RETAINER 0.563 DIA SHAFTS	1.000 EA
MJ5001A27	32220KN GRAY SEALER	0.001 QT
MG1000G27	MED CHARCOAL METALLIC GREY	0.014 GA
10XF0440S02	04-40 X 1/8 TYPE F HEX HD STAINLESS STIC	2.000 EA
LD5018A03	CORD & PLUG SET 16/3 SJOW 105C 300V 2' 6	1.000 EA
WD4006C05	ORANGE, WIRENUT, G-B #13-003 ORGSIZE 73B	3.000 EA
SP5056A14	MODEL 34 TYPE LC STATIONARY SWITCH	1.000 EA
HA3100A45	THRUBOLT 10-32 X 8.875	4.000 EA
MN416A01	TAG-INSTAL-MAINT no wire. (100/bx) 8/12	1.000 EA
LB1118	LABEL,WARNING (ROLL LABEL)	1.000 EA
LB1172A01	CUSTOM MTR CARTON LABEL LASER PRINTER	1.000 EA
LC0269	1PH,DV,REV,THERMAL,7 LD,LAMP THRU HTR H	1.000 EA
LB1115	LABEL,LIFTING DEVICE	1.000 EA
NP1379L	ALUM IEC UL CSA CC	1.000 EA
36PA1000	PACK GROUP W/LB5001	1.000 EA



CD0320



REV. DESC: REVISE TO SHOW OPTIONAL COLORS			
REV. LTR: F	BY: JLP	REVISED: 04/08/99 4:42	TDR: 0178636
0320		FILE: AAA00007422	MDL: -
		MTL: -	

BALDOR ELECTRIC Co.

TYPE LC, DV, REV, THERMAL, B PH AMPS THRU HTR HVC, 7 LEAD

CD0320