

BALDOR® • RELIANCE

Product Information Packet

WVO DESIGNS

34-7665Z609G1

.5HP,1800RPM,DC,D71CZ,3420P,TENV,B14,N

Part Detail							
Revision:	C	Status:	PRD/A	Change #:		Proprietary:	No
Type:	DC	Prod. Type:		Elec. Spec:	34WGZ609	CD Diagram:	CD0194
Enclosure:	TENV	Mfg Plant:		Mech. Spec:	34-7665	Layout:	34LY7665
Frame:	D71CZ	Mounting:	B14	Poles:	///	Created Date:	11-13-2014
Base:	RG	Rotation:	R	Insulation:	F	Eff. Date:	12-11-2014
Field Type:		Literature:		Elec. Diagram:		Replaced By:	

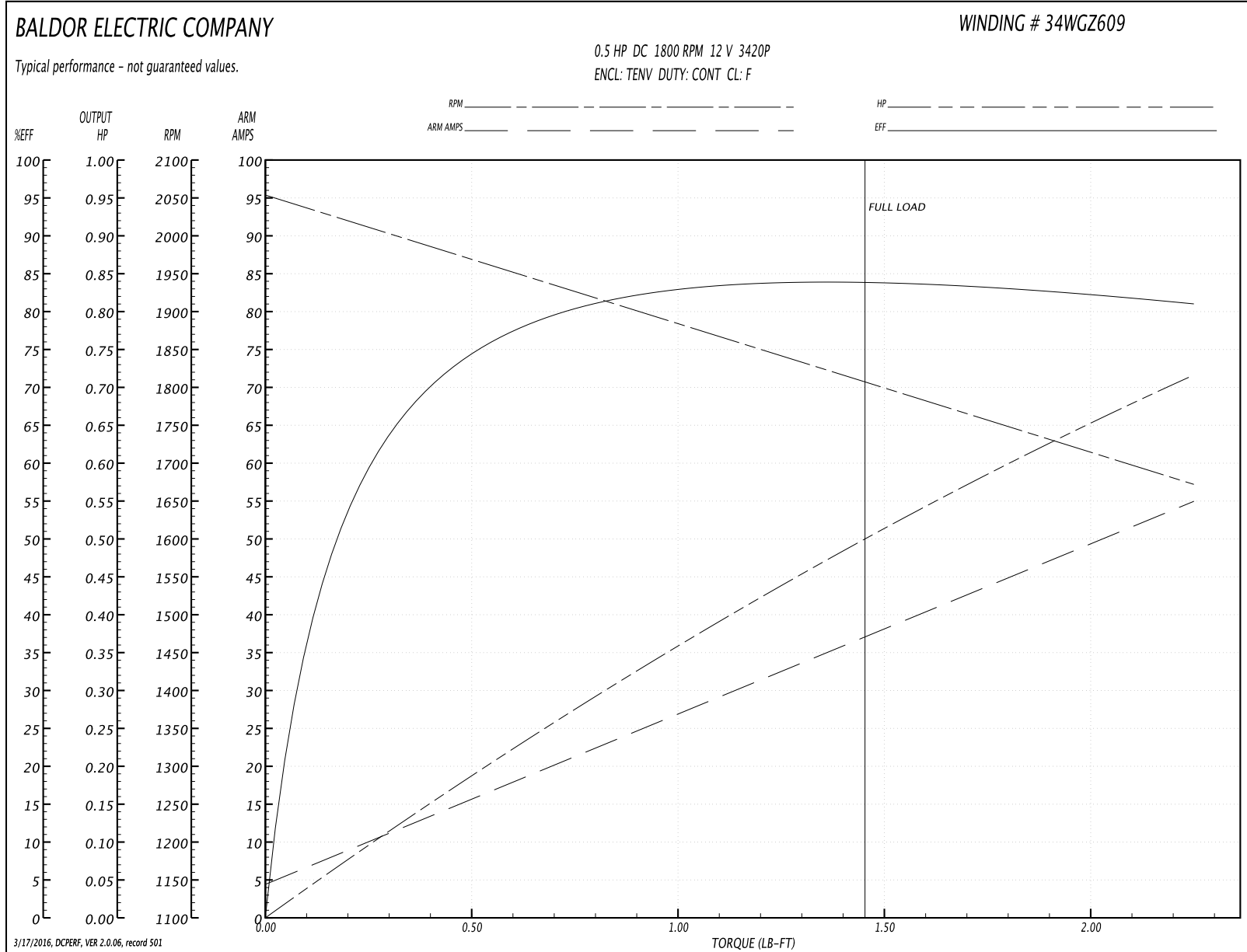
Nameplate NP0111L			
CAT.NO.			
SPEC.	34-7665Z609G1		
HP	.5	ENCL	TENV
RPM	1800		
FRAME	D71CZ	TYPE	3420P
ARM V	12	ARM A	40
FLD V		FLD A	
INSUL	F	AMB.	40
DUTY	CONT	SUPPLY	A
BRG/DE	6203	BRG/ODE	6203
BRUSHES	2/BP5104BV01		
		BLANK	
SER.			
BLANK			
APRV-CSA		APRV-UL	

Parts List		
Part Number	Description	Quantity
SA289792	SA 34-7665Z609G1	1.000 EA
AA015686	AA 34-7665Z609G1	1.000 EA
BP5104BV01SP	CARBON BRUSH - 12 DC - MZ65	1.000 EA
BP5100	SPRING PRESSURE BRACKET ASSY	2.000 EA
51XF1032A08	10/32X1/2 HXWSHR HD, SL, TYPE F ,SERATED	4.000 EA
11XW1032G06	10-32 X .38, TAPTITE II, HEX WSHR SLTD U	1.000 EA
34EP3114A03	FR EP, MACH MODEL 34 TENV W/EXT T-BOLTS	1.000 EA
HW5100A03SP	WAVY WASHER (W1543-017)	1.000 EA
34CB4519	BRUSH INSPECTION COVER	2.000 EA
34GS1022	GASKET, BRUSH COVER LID, NEOPRENE NON CO	2.000 EA
51XW0832A07	8-32 X .44, TAPTITE II, HEX WSHR SLTD SE	4.000 EA
HW4032A01	BLACK DRAIN PLUG FOR WASH DOWN MOTORS	3.000 EA
34EP1503A18	B/SPL PU-E.P. TYPE 71 "C" FLANGE PER B3	1.000 EA
51XN1032A20	10-32 X 1 1/4 HX WS SL SR	2.000 EA
34CB4518	CONDUIT BOX LID, STAMPED F/34P	1.000 EA
34GS1027	GASKET, 34P KOBX LID, CS-301 LEXIDE	1.000 EA
51XW0832A07	8-32 X .44, TAPTITE II, HEX WSHR SLTD SE	2.000 EA
HW4600B84	SEAL 0.669 X 1.064 X 0.250 SINGLE LIP SS	1.000 EA
MJ5001A27	32220KN GRAY SEALER *MIN BUY 4 QTS=1GAL	0.001 QT
34RK5006	ROCKERARM ASSEMBLY MODEL 34 PM	1.000 EA
WD1000A50	TERM, AMP #4-520447-2	2.000 EA
WD4102A65	HEYCO #2827 (B 625-500) SHORTY BUSHING	1.000 EA
MG1000G27	MED CHARCOAL METALLIC GREY 400-0096	0.014 GA
10XF0440S02	04-40 X 1/8 TYPE F HEX HD STAINLESS STIC	2.000 EA

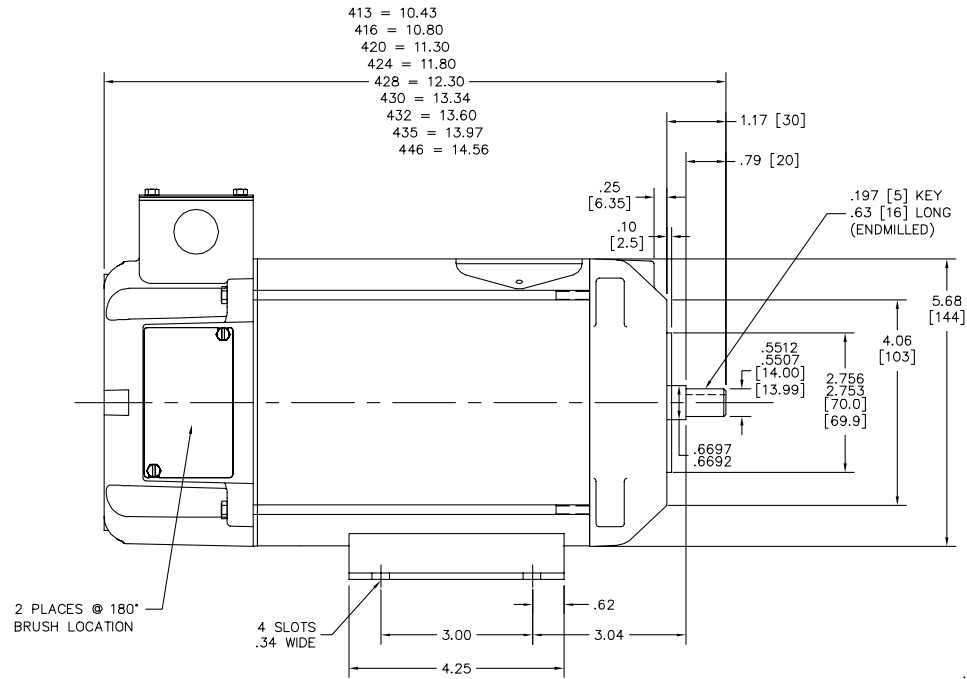
Parts List (continued)		
Part Number	Description	Quantity
HA3100A11	THRUBOLT 10-32 X 6.750	4.000 EA
LB1119N	WARNING LABEL	1.000 EA
LC0194	CONNECTION LABEL	1.000 EA
MN416A01	TAG-INSTAL-MAINT no wire (1400/bx) 11/14	1.000 EA
NP0111L	NP STD LASER ENGRAVED DC MOTORS, UL CSA	1.000 EA
35PA1000	PKG GRP, PRINT PK1008A06	1.000 EA
HW2504D04	KEY, 5 MM X .625 LONG	1.000 EA
HA7000A10	KEY RETAINER 0.563 DIA SHAFTS	1.000 EA
LB1417	LABEL CARTON 6X4 PERFORATED BLANK ROLLS	1.000 EA

Performance Data at 12.0 Arm V, 0.5HP (Typical performance - Not guaranteed values)							
General Characteristics							
Armature Resistance:	0.0213 ohms			Commutating Winding Resistance:			
Series Winding Resistance:				Shunt Winding Resistance:			
Armature Inductance:	0.1689 mH			Armature Inertia:			
Maximum Rated RPM With Field Weakening:				Maximum Allowable Inrush Amps:			
Load Characteristics							
Load Point	1	2	3	4	5	6	7
Armature Amps:	4.44	12.86	21.28	29.7	38.12	46.54	54.97
RPM:	2054.0	1990.0	1926.0	1863.0	1799.0	1736.0	1672.0
Torque (LB-FT):	0.0	0.375	0.75	1.125	1.5	1.875	2.25

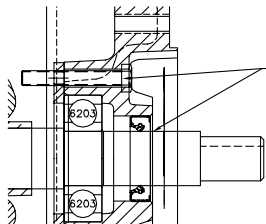
Performance Graph at 12.0 Arm V, 0.5HP Typical performance - Not guaranteed values



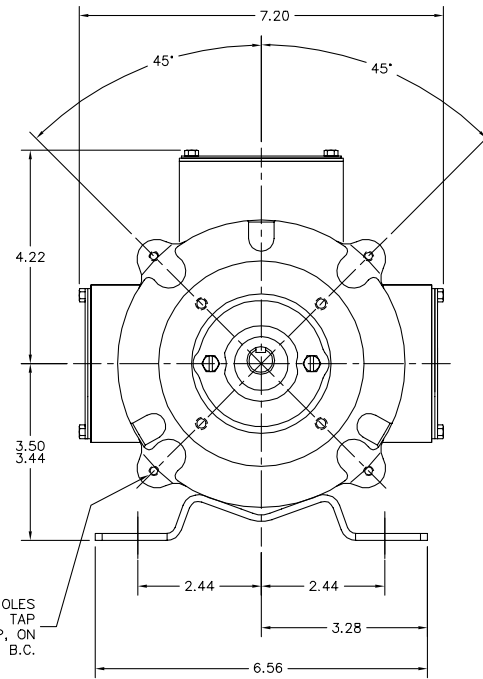
34LY7665



2 PLACES @ 180° BRUSH LOCATION



APPLY COAT OF SEALER UNDER SCREW HEADS AND TO SEAL HOUSING, BEFORE PRESSING IN SEAL. GREASE LIP OF SEAL PRESS IN W/LIP OUT.



34LY7665

CUSTOMER IS RESPONSIBLE FOR DETERMINING THAT BALDOR'S PRODUCT WILL PERFORM SUITABLY IN THE INTENDED APPLICATION.

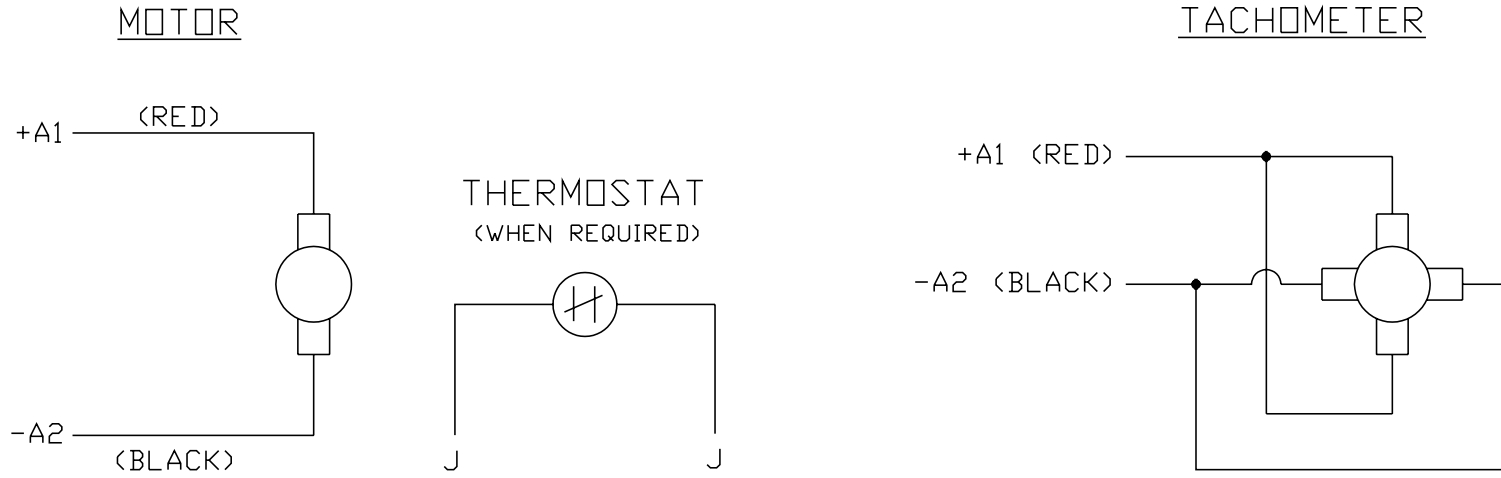
REV. DESC: REPL 34EP1503A04 W/34EP1503A18	VERSION: 01	TDR: 0000008B3460
REV. LTR: A	REVISED: 09:47:43 12/09/2014	BY: ENERINO
FILE: \AAA\00213\556		
MTL: -		

BALDOR

HORZ 34PM NEMA D71CZ TENV (HI DEMAG MTR)

SH 1 of 1

CD0194



NOTES:

1. CCW ROTATION AS SHOWN FACING COMMUTATOR END. TO REVERSE MOTOR ROTATION OR TACHOMETER OUTPUT POLARITY INTERCHANGE LEADS A1(RED) & A2(BLACK)
2. LEAD COLORS FOR REFERENCE ONLY & NOT SPECIFIED BY THIS DRAWING. LEAD COLORS SPECIFIED BY LAYOUT DRAWING & BILL OF MATERIAL ONLY.

MATL: -			
REV: E	ADDED NOTE "LEAD COLORS FOR REFERENCE ONLY &..."		
761000	SCALE: -	BY: CK	REVISED: 07/28/95
	FILE: AAA00004503		TDR: 0078737

BALDOR ELECTRIC Co.

CD TYPE P DC PERMANENT MAGNET MOTORS AND TACHOMETERS

CD0194